



Features

- Adjustable heated water tank
- Adjustable rear and front washes
- Adjustable warm air dryer
- Oscillating comfort wash
- Soft closing seat & cover
- Heated seat with temperature control
- Energy-saving function
- Easy installation

Specifications

Size : 522x480x173
(Elongated & Regular adjustable)

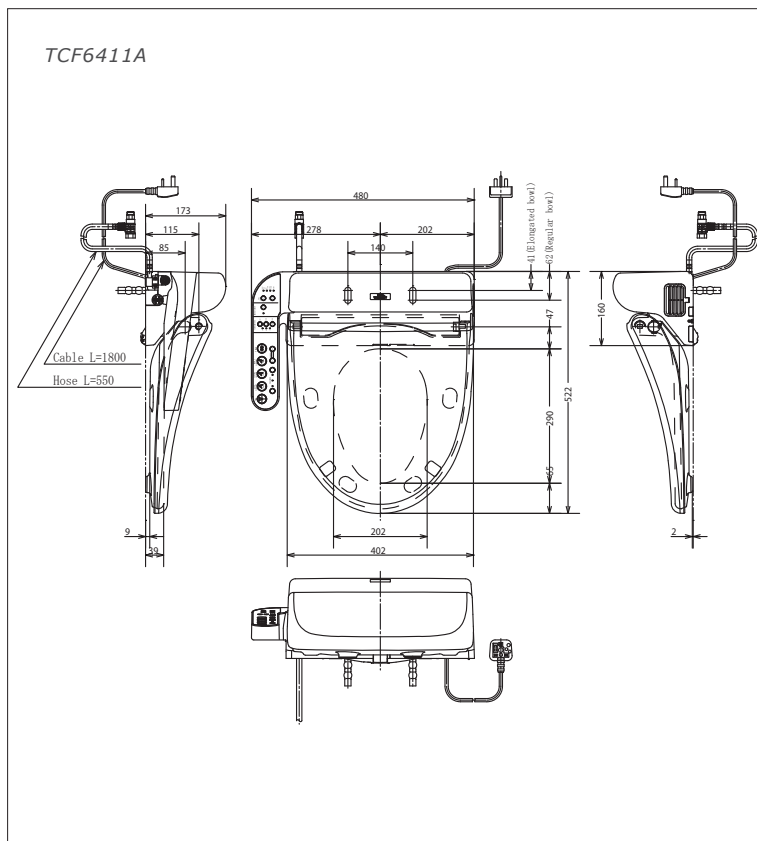
Water Pressure : Min.: 0.05MPa
Max.: 0.75MPa

Power rating : 220V/ 50/60H /304W

Length of : 1.8m

Power Cord

Material: : Plastic



Caution: Washlet may not fit certain toilet bowl design.
Please check the compatibility of Washlet and your toilet bowl prior purchase.

Parts description

- **TCF6411A**
Elongated/Regular bowl adjustable

Colors

White