

# Washlet Retrofitting

TOTO Washlets can sometimes be fitted to existing suites (also known as 'retro fitting'). We only recommend Washlets are fitted to TOTO pans, as we can guarantee the shape and brackets will fit the Elongated, D, and Round shaped suites.

However, we understand it is not always practical to replace an existing toilet suite; perhaps because of body corporate rules or the type of existing installation. While the shape of the TOTO Washlet may not match the shape and length of your existing suite, you can still achieve the comfort, hygienic cleansing, and quality of the TOTO range by installing the Washlet only.

The newly released TCF6632AT (w/ side control) and TCF4732AT (w/ remote control) are the most versatile of the Washlet collections for retro fitting due to their D Shape and 'normal' seat size. Of our other Washlets, the elongated TCF6411AT is our most cost effective model, the Round shape TCF6630AT & TCF6530AT are our best fitting model to non-TOTO suites, though we strongly recommend sighting these models in the showroom prior to purchase due to their compact nature. All the Elongated and D Shape Washlets can be retrofitted using the new adjustable brackets.

- Approximate shape to suit pan (Elongated, D Shape, or Round)
- (1) Bracket holes for seat need to be 135-225mm apart (Elongated TCF6411 or TCF6632 / TCF4732 D shape ); 155mm apart OR in fixed seat position 140-175mm (Round TCF6630 TCF6530), allowing +-5mm tolerance. (*The adjustable bracket is an additional purchase with Washlets TCF6411 / TCF6632 / TCF4732*)
- (2) From the rear of the two bracket holes for seat, there must be a minimum 50-55mm to front of cistern
- (3) Check the overall length of the pan, from the front of the cistern to the edge of the pan
- (4) Single cold water point stop tap is required, should always be on the left hand side as you face the pan. The installer may be required to fit a hooker valve to gain necessary length
- (5) TCF6411 has 1.2m RH power point, TCF6630 TCF6530 TCF6632 & TCF4732 have LH 1.2m power point

While fairly simple to install (providing correct dimensions, a GPO, and an existing stop tap); we specifically advise it is installed by a plumber, and that a GPO is fitted by an electrician according to the plumbing and electrical regulations in your state. Our 220v Australian supplied cords MUST NOT be hardwired, or warranty is voided. The 500mm metal threaded hose must not be replaced, though installer can add an extension hooker valve as required. Attempting to change the hose will void the warranty. Your installer will discuss back flow prevention requirements for your state.

We can only recommend that TOTO Washlets are installed on a matching TOTO suites, as we are unable to guarantee they will be fit for purpose if installed on another suite. There are no returns for change of mind, Washlets not fitting an existing suite, or for aesthetic reasons once installed.

While unable to guarantee a retro fitted Washlet will be fit for purpose, we are more than happy for you to send images of the existing toilet, so we can advise which model is likely to suit. Final confirmation of suitability is subject to the installer. Please contact the showroom for further information.

## How to install a Washlet seat

*(A general guide only for qualified plumbers only. Images may differ slightly from Australian supplied items)*

### 1) Remove the old toilet seat.

Make sure to clean the surface around the mounting holes.



### 2) Install the Washlet seat mounting bracket.

Using a Phillips-head screwdriver, tighten the screws just snug enough to allow movement so you can adjust it to align the seat.



### 3) Slide the Washlet on the bracket.

Make sure you slide the Washlet seat back into the bracket until you hear it click. Centre the seat then tighten the bracket.



### 4) Connect the Washlet's hose to water stop tap with supplied back flow prevention valve.

Be sure to turn off the water supply then flush the toilet to relieve pressure. Not installing the back flow prevention valve (AKA dual check valve) or alternatively installing an external RPZ valve (not supplied and can only be installed by plumber), could potentially contaminate the drinking water supply.

### 5) Turn the Washlet on.

Turn your water back on and plug the unit in. The LED lights will let you know when it's ready.



**IMPORTANT:** Images and instructions above are general in nature and are not necessarily the same for all models. Refer to specific installation instructions supplied with purchased Washlet. Any damage to a Washlet caused by installation to an existing toilet suite is **NOT COVERED UNDER WARRANTY**, and TOTO Victoria **ARE NOT BE LIABLE** for any damage to the existing toilet suite. TOTO Warranties only apply to the Australian supplied TOTO fittings.

# TOTO

## WASHLET

## TCF6632AU

### WASHLET



### Specifications

Bowl Shape:	D-Shape
Water Pressure:	0.05Mpa-0.75Mpa
Power Rating:	220-240V, 50/60Hz, 262-307W
Length of Power Cord:	1.2 m
Material:	Plastic
Size:	478W x 523D x 188H mm

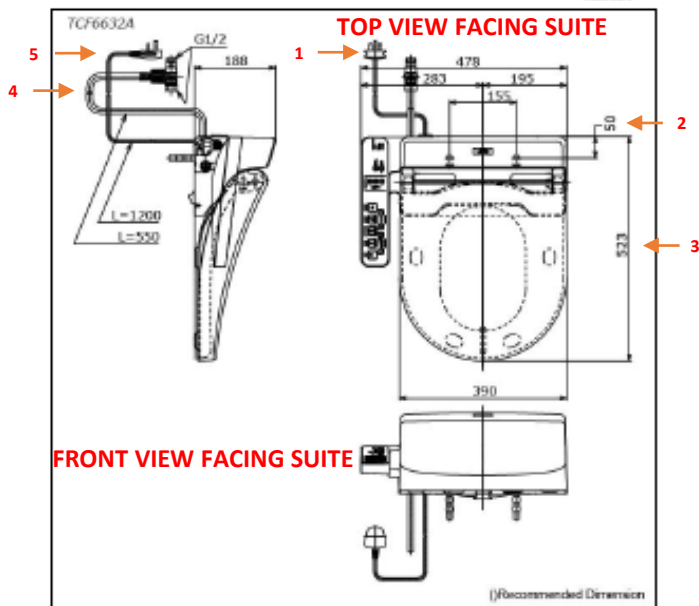


### Colors

White

### Features

- Fully equipped with comfortable rear, front, and oscillating cleansing functions
- Adjustable warm air dryer
- Auto powerful deodorizer activates after every usage
- Soft closing seat and cover
- Heated seat with temperature control
- Premist water is sprayed inside the toilet bowl to make it difficult for dirt to adhere
- Energy-saving function
- Easy remove for cleaning



**NOTE – D SHAPE WASHLETS ARE RECOMMENDED**

# TOTO

# WASHLET

## TCF6411A



### Features

- Adjustable heated water tank
- Adjustable rear and front washes
- Adjustable warm air dryer
- Oscillating comfort wash
- Soft closing seat and cover
- Heated seat with temperature control
- Energy-saving function
- Easy installation

### Specifications

Size : 522x480x173  
(Elongated & Regular adjustable)

Water Pressure : Min.: 0.05MPa  
Max.: 0.75MPa

Power rating : 220V/ 50/60H /304W

Length of : 1.8m

Power Cord

Material: : Plastic

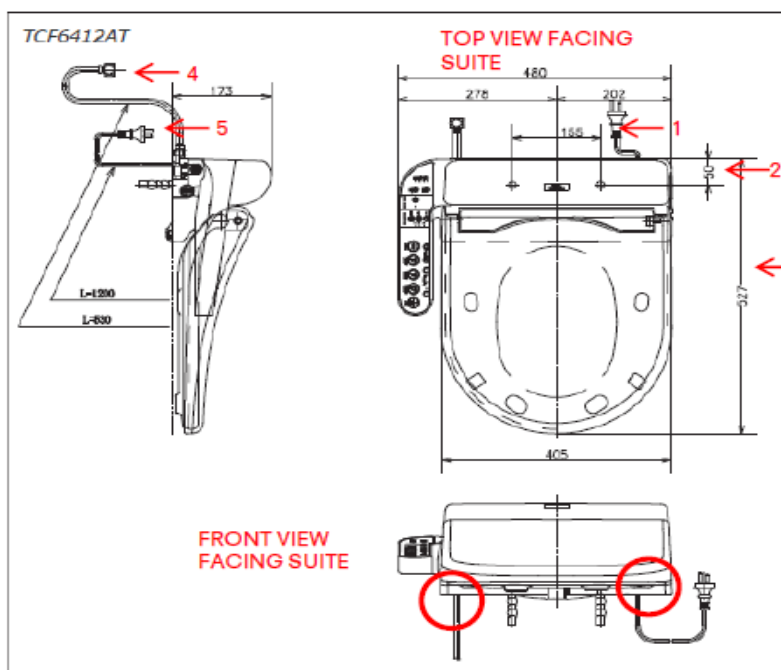
### Parts Description

- TCF6411A  
Elongated/Regular bowl adjustable

### Colors

White

Please consult a TOTO representative for details



# TOTO

# WASHLET

## TCF4732A

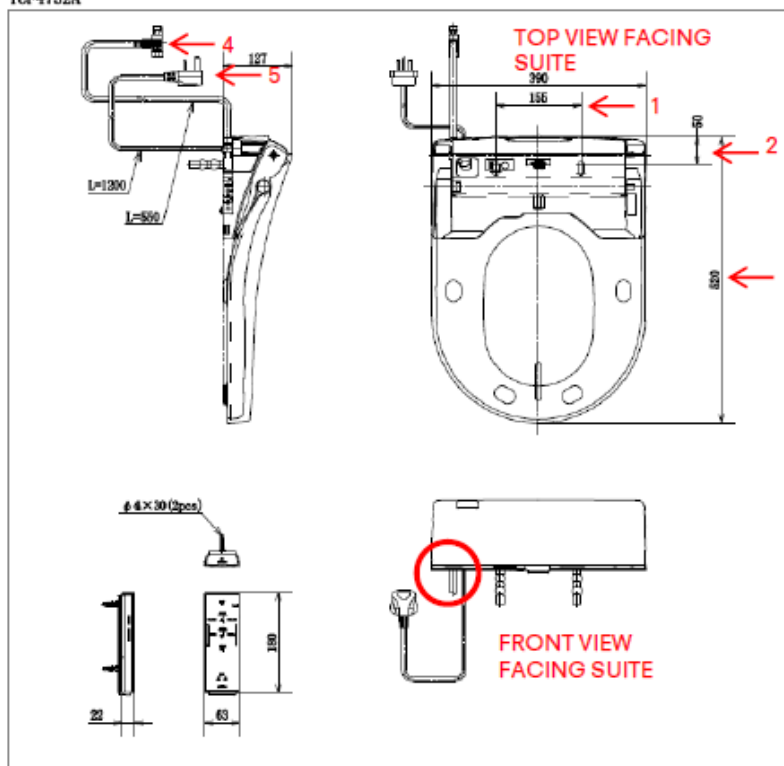


## Features

- *eWater<sup>+</sup>* spreads out and keeps clean toilet bowl and nozzle by preventing bacteria with sanitizing effect
- Auto lid opening and closing
- Maximized comfort function with new wide front and pulsating cleansing
- Fully equipped with comfortable rear, front, and oscillating cleansing functions
- New auto soft light function usable for night time usage
- Auto powerful deodorizer activates after every usage
- Easy remove for cleaning

*eWater<sup>+</sup>* is made from tap water by electrolyzed chloride ion without any chemicals. After use, it returns to normal water in the state of safe and environmental friendly

TCF4732A



## Specifications

- Size : 390Wx520Dx127H  
Water Pressure : 0.05MPa ~ 0.75MPa  
Power rating : 220V/ 50/60Hz /830W  
Length of Power Cord : 1.2m  
Material : Plastic

## Parts description

- **TCF4732A**  
WASHLET  
Elongated/Regular bowl adjustable

## Colors

White

Please consult a TOTO representative for details

NOTE – D SHAPE WASHLETS ARE RECOMMENDED

# TOTO

# WASHLET

## TCF6630A



\*image for reference only



## Features

- Fully equipped with comfortable rear, front, and oscillating cleansing functions
- Adjustable warm air dryer
- Auto powerful deodorizer activates after every usage
- Soft closing seat and cover
- Heated seat with temperature control
- Premist water is sprayed inside the toilet bowl to make it difficult for dirt to adhere
- Energy-saving function
- Easy remove for cleaning

## Specifications

Size : 478W x 480D x 188H mm

Water Pressure : 0.05MPa ~ 0.75MPa

Power rating : 220~240V/ 50/60Hz/  
262~307V

Length of Power Cord : 1.2m

Material : Plastic

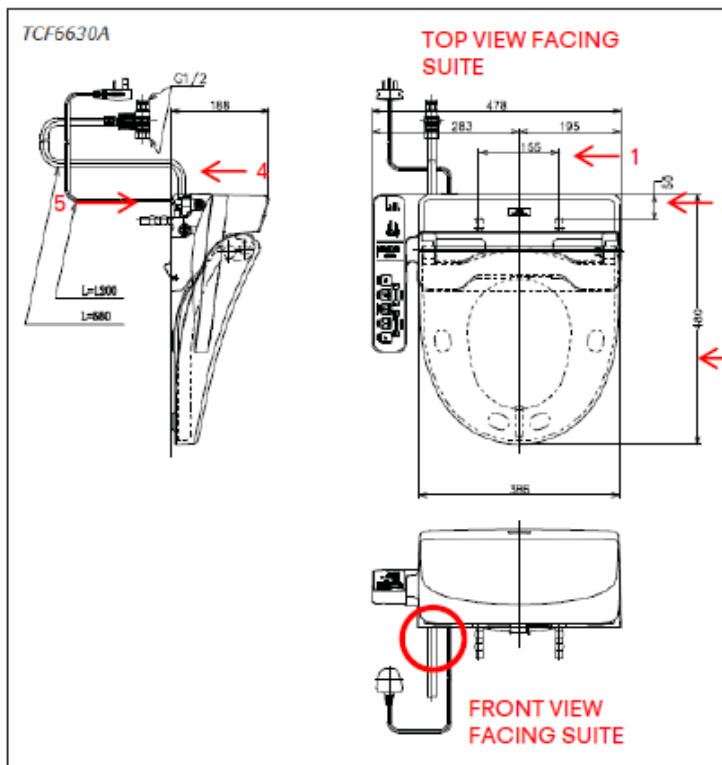
## Parts Description

- TCF6630A WASHLET Round Size

## Colors

White

Please consult a TOTO representative for details



Caution: WASHLET may not fit certain toilet bowl designs.

NOTE – COMPACT SEAT SIZE



# TOTO

# WASHLET

## TCF6530A



TOTO  
GREEN  
CHALLENGE



## Features

- Fully equipped with comfortable rear, front, and oscillating cleansing functions
- Adjustable warm air dryer
- Auto powerful deodorizer activates after every usage
- Convenient slim wireless remote, with illuminated touch pad
- Soft closing seat and cover
- Heated seat with temperature control
- Premist water is sprayed inside the toilet bowl to make it difficult for dirt to adhere
- Easy remove for cleaning
- Energy-saving function

## Specifications

Size : 390W x 531D x 188H mm

Water Pressure : 0.05MPa ~ 0.75MPa

Power rating : 220~240V/ 50/60Hz/  
264~309V

Length of Power Cord : 1.2m

Material : Plastic

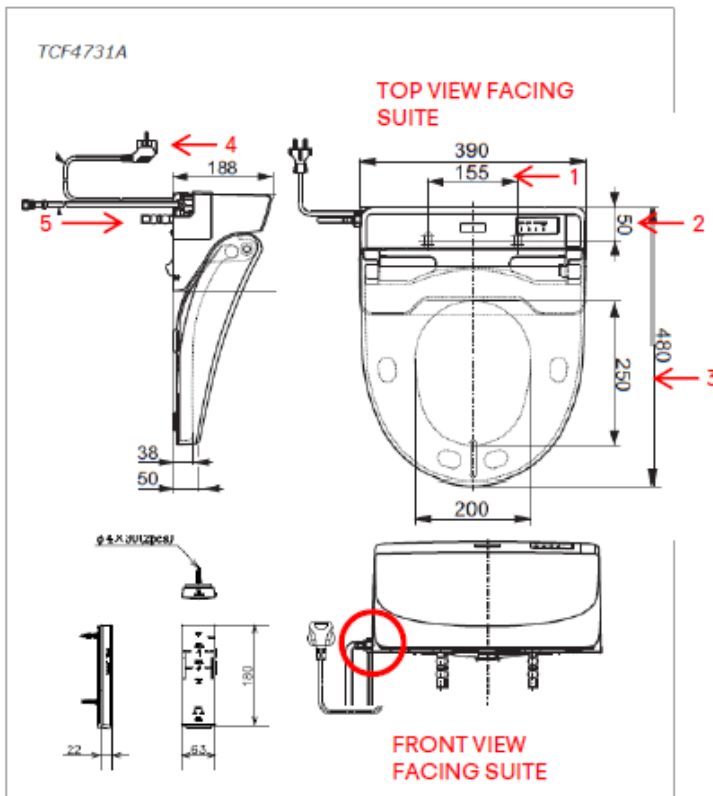
## Parts Description

- TCF6530A  
WASHLET  
Round Size

## Colors

White

Please consult a TOTO representative for details



NOTE - COMPACT SEAT SIZE