

NEOREST AH

Luxurious Integrated Toilet



TOTO
GREEN
CHALLENGE



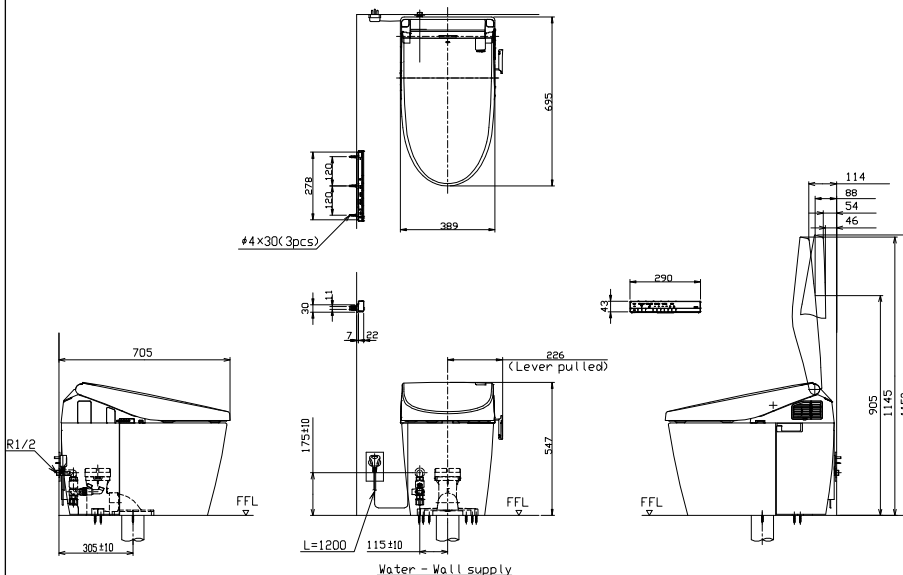
CS985VA/TCF9786WA
CS985PVA/TCF9786WA

Features

- Luxurious Toilet integrated with WASHLET unit.
- Hybrid Ecology System
 - water saving dual flush 3.8/ 3.0L (CS985PVA 4.8/ 3.4L)
 - minimum required water pressure only at 0.05Mpa (Dynamic)
- Tornado Flushing for powerful flushing effect with less amount of water.
- Reduced flushing sound
- *e*water⁺ automatically spreads out and keeps clean toilet bowl and nozzle by preventing bacteria with sanitizing effect
- CeFiONtect prevents debris on toilet surface
- Fully equipped with comfortable rear, front, and oscillating cleansing functions
- Auto lid opening and closing function
- Auto soft light function usable for night time usage

*e*water⁺ is made from tap water by electrolyzed chloride ion without any chemicals. After use, it returns to normal water in the state of safe and environmental friendly

CS985VA / TCF9786WA



Specifications

- Flush System : Tornado Siphon Jet
 Water Use : 3.8/ 3.0 L (CS985VA)
 : 4.8/ 3.4 L (CS985PVA)
 Rough-in : 305 mm (CS985VA)
 : H=120~153mm (CS985PVA)
 Water Pressure : 0.05Mpa ~ 0.75Mpa
 Power Rating : 220 ~ 240V : 50/60Hz
 Length of Power Cord : 1.2 m
 Material : Bowl - china
 Seat & Cover - plastic
 Remote Controller - Aluminium
 Size : 389Wx705Dx547H

Parts Description

- CS985VA Water Closet Bowl (S-trap)
- CS985PVA Water Closet Bowl (P-trap)
- TCF9786WA WASHLET Unit

Colors

White

Please consult a TOTO representative for details

